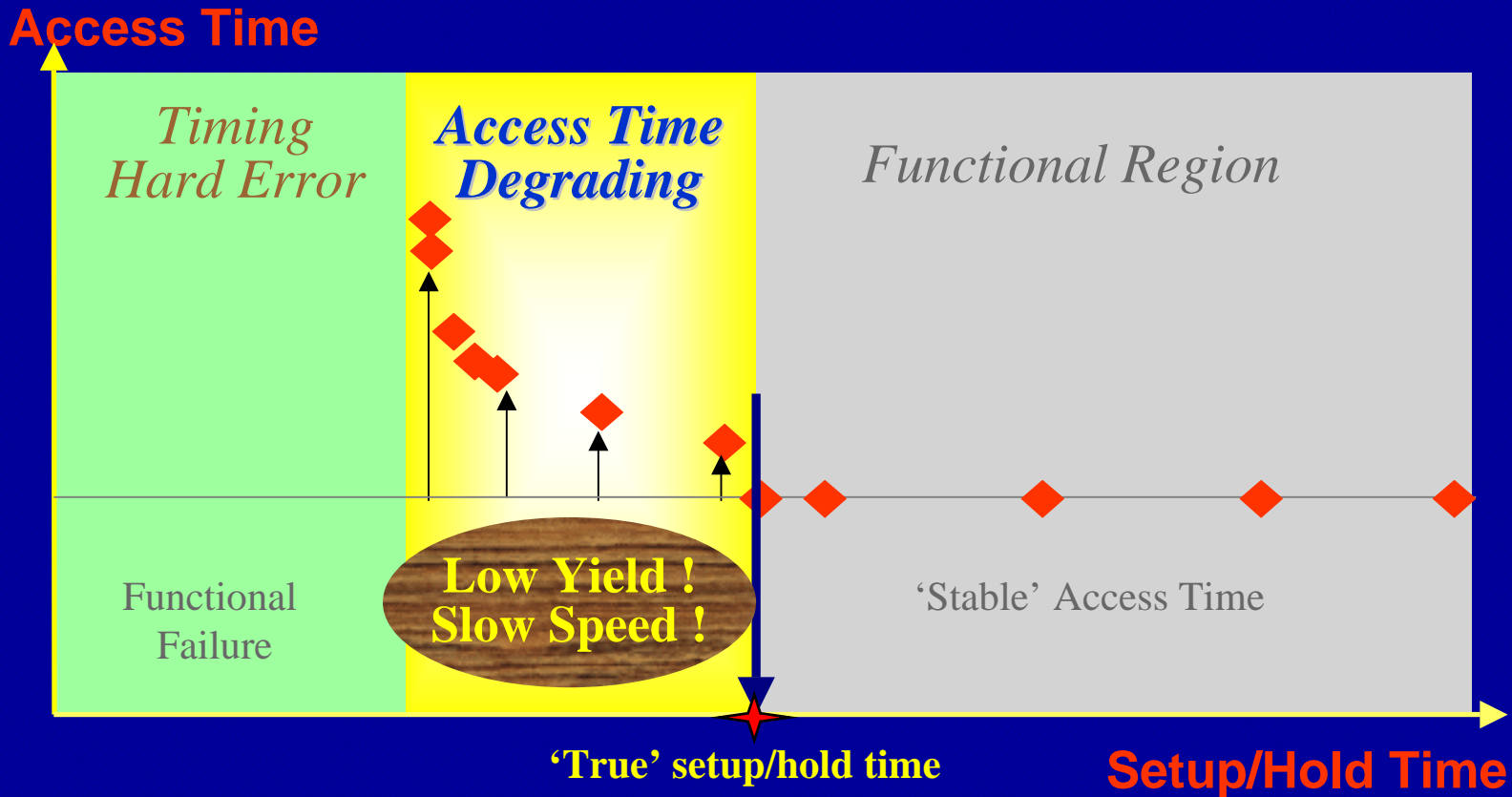


The Verification Process For Memory Reliability Violations

- ◆ Function verification
- ◆ Weak signal verification
- ◆ Access-time degradation verification
- ◆ Signal pulse width verification
- ◆ Model accuracy verification

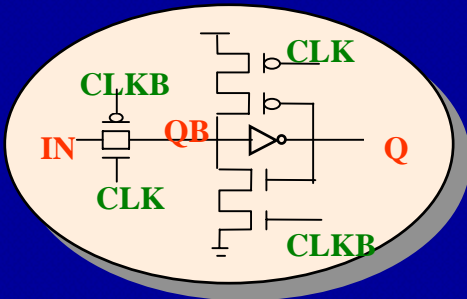
Access-Time Degradation Check

Due to Insufficient Setup/Hold Time



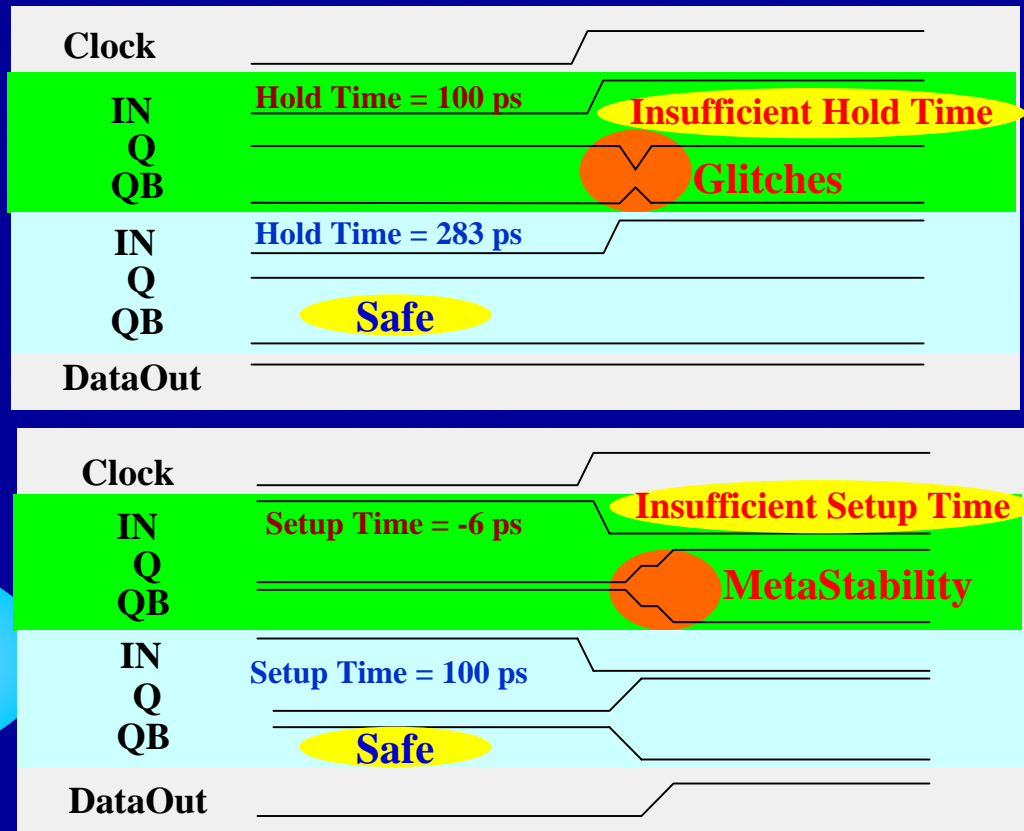
'Glitch' and 'MetaStability'

Racing and Access-Time Degradation



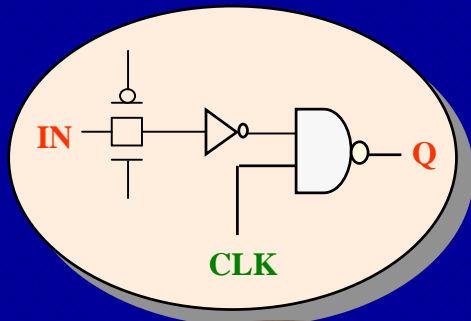
Reliability Problem !

Memory Diagnoser locates 'glitch' and 'metastability' issues



Signal 'Pulse Width' Verification

Critical for Low-Power Designs



Reliability Problem !

